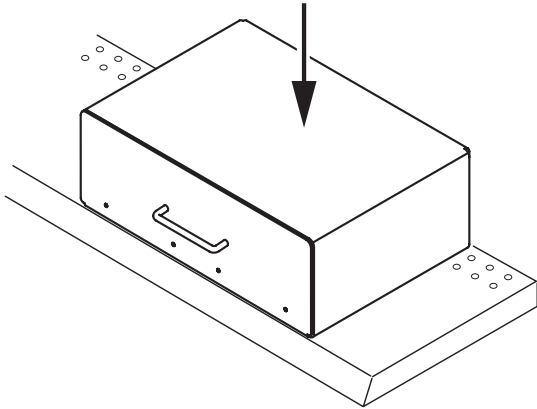


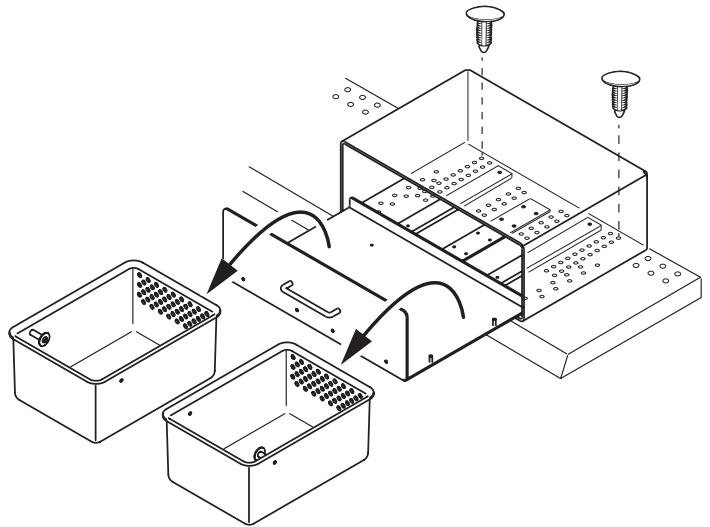


WARNING:

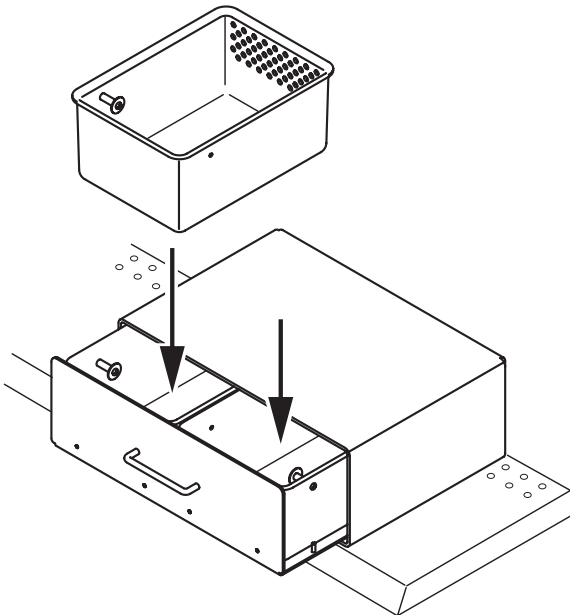
If not installed properly, merchandiser can tip over when drawer is pulled out.
Recommended installation on a flat (non-angled) shelf for best performance and proper use.



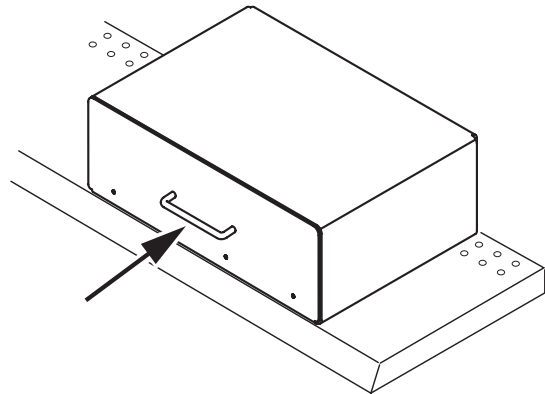
① Remove from box. Place merchandiser on the shelf.



- ② A. Open drawer and remove the bins and any packing material.
B. Locate package containing two Christmas Tree Clips.
C. Find two holes in the rear of the base that align with holes in the rear of the shelf.
D. Insert one fastener into rear left holes and one fastener into rear right holes.



③ Insert the bins back into the merchandiser.



④ Close drawer. Installation is complete.

20190311